

SHELTER ASSEMBLY MANUAL

Serious W9.15m x L12m x H4.5m

Serious W9.15m x L20m x H4.5m

Serious W9.15m x L26m x H4.5m

Winch Roll Up Door



Part List

Parts Code	Description	304015R Qty	306515R Qty	308515R Qty
1	Roof Bent Tube	7	11	14
2	Middle Bent Tube	10	18	24
2A	Middle Bent Tube for front and back door	4	4	4
3	Lower Bent Tube	10	18	24
3A	Lower Bent Tube for front and back door	2	2	2
3B	Lower Bent Tube for winch wheel	2	2	2
4	Purlins	30	50	65
5L	Side Base Plate for Corners (at left)	2	2	2
5R	Side Base Plate for Corners (at right)	2	2	2
6	Base Plate for front and back door	4	4	4
7	Base Plate for inner sidewall	10	18	24
7A	Tie Down Ratched(has been installed)	14	22	28
8L	Left Lower door frame	2	2	2
8R	Right Lower door frame	2	2	2
9L	Left Upper door frame	2	2	2
9R	Right Upper door frame	2	2	2
10A	Lower Horizontal Tube for fix winch wheel	2	2	2
10B	Horizontal Tube for end walls	4	4	4
11	Door beam	2	2	2
11A	Door Suspender	2	2	2
11B	Angle Iron	2	2	2
12	Lower Tension Tube for front and back door	4	4	4
13	Diagonal Bracing Tube	4	4	4
13A	Clip for Diagonal Bracing Tube	8	8	8
14	Lower Tension Tube for roof cover (2 sets)	2 groups	2 groups	2 groups
15	Door Bracing Tube (2 sets)	14	14	14
16	Splint for the Door	8	8	8
17	Winch Wheel	2	2	2
18	Steel Wire for Winch Door	2	2	2
19	Stake Pegs	50	74	92
20	Bolt Carriage M12x110mm	50	65	80
21	Bolt Carriage M10x90mm	100	142	180
22	Bolt M10x30 mm	12	12	12
23	Bolt M10x90 mm	62	62	62
23A	Bolt M10x60 mm	14	14	14
24	Ratchet Straps	14	22	28
25	End Cap for Tension Tubes	12	12	12
26	Rope	1	1	1

27	Roof Cover	1	1	1
28	Front and Back Door Cover	2	2	2
29	Cover on the Door	2	2	2
30	PVC tube	2	2	2
31	Straps for Small Ratchet	28	28	28

SPECIFICATION

W30' x L40'xH15'/ W30' x L65'xH15'/ W30' x L85'xH15'

Width: 9.15m Length: 12m/20m/26m Height: 4.5m

Door dimension: W3.5mxH3.5m (W11'6" x H11'6")

IMPORTANT-----READ MANUAL FIRST

Improper site preparation, Assembly and Maintenance may invalidate warranty and cause unnecessary and costly mistake. If you have any questions contact your local dealer.

For User Friendly assembly we have identified each individual component with the part code as indicated in the parts list. Please refer to the part code numbers and drawing to ensure problem free assembly.

It's necessary to tighten the roof fabric enough to avoid "hammocks" on the roof and also re-tighten once or twice again after a few months of use. This is important when assembly in cold weather (autumn and winter) because the fabric is stiff then and when we got the sun and warm weather afterwards it will make the fabric "slack" again and need to be re-tighten before next winter.

It's the owners responsibility to take of snow immediately if not slide off by itself.

READ ALL INSTRUCTIONS BEFORE ASSEMBLY

1. Keep work area clean. Cluttered areas invite injuries. Do not set up near snow drifts, in slippery places, in high winds, or wet location.
2. Keep children away. All children should be kept away from the work area.
3. Don't over reach. Keep proper footing and balance at all times.
4. Do not assemble in under the influence of alcohol or drugs. Read warning labels on prescriptions to determine if your judgment or reflexes are impaired while taking drugs. If there is any doubt, do not assemble.
5. Be aware of possible windy conditions; fasten the bases in concrete if these conditions are likely to occur. Remove the cover during hurricane.
6. Be careful with power and heat sources. Do not keep heat sources near the tarpaulin. Do not expose to open flame.
7. Be aware of personal safety during assembly and use. Be careful not to pinch fingers with clips and tubes when assembling: when using makes sure there is adequate ventilation for exhaust and other dangerous fumes.

EQUIPEMNT AND TOOLS FOR INSTALIAATION

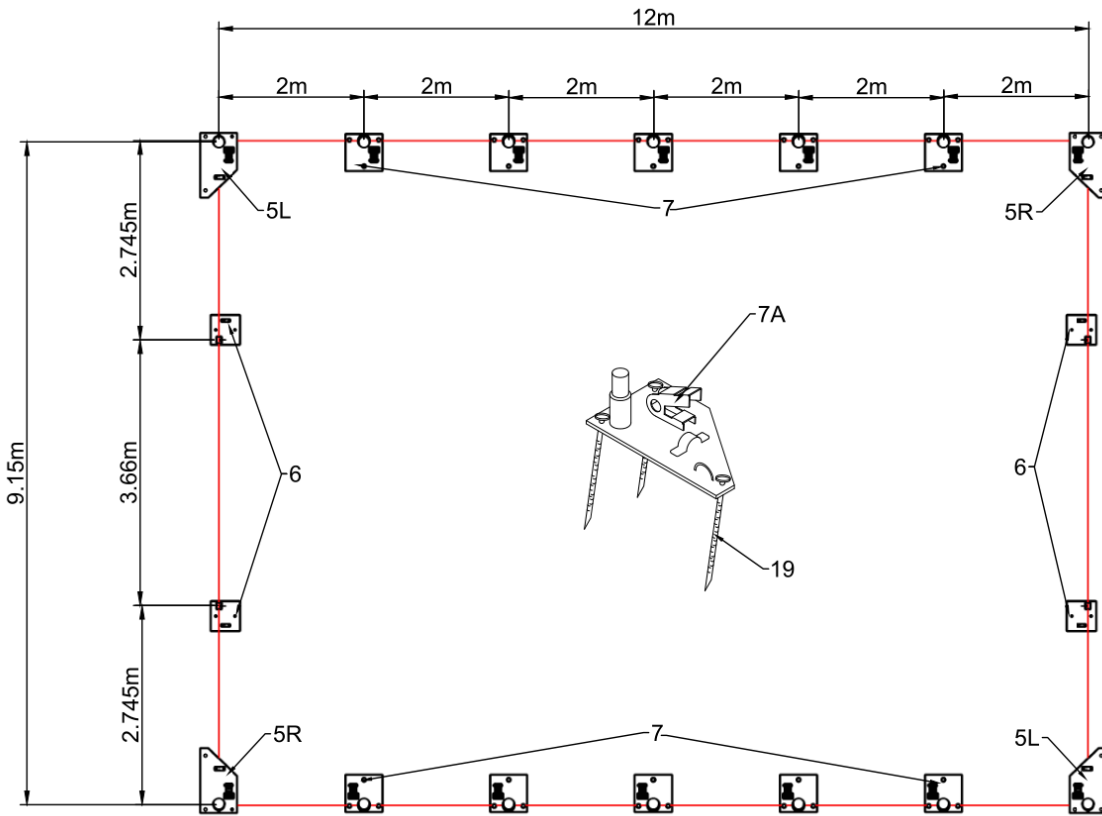
1. Measuring tape
2. String for alignment
3. Step ladder
4. Welder
5. Sledge hammer
6. Wrench
7. Scissors

INSTALLATION PROCESS

A—BASE INSTALLATION

Please refer to the diagram (Figure 1) to place the base plates.

NOTICE: THE MEASUREMENT IS FROM CENTER TO CENTER OF THE TUBES.



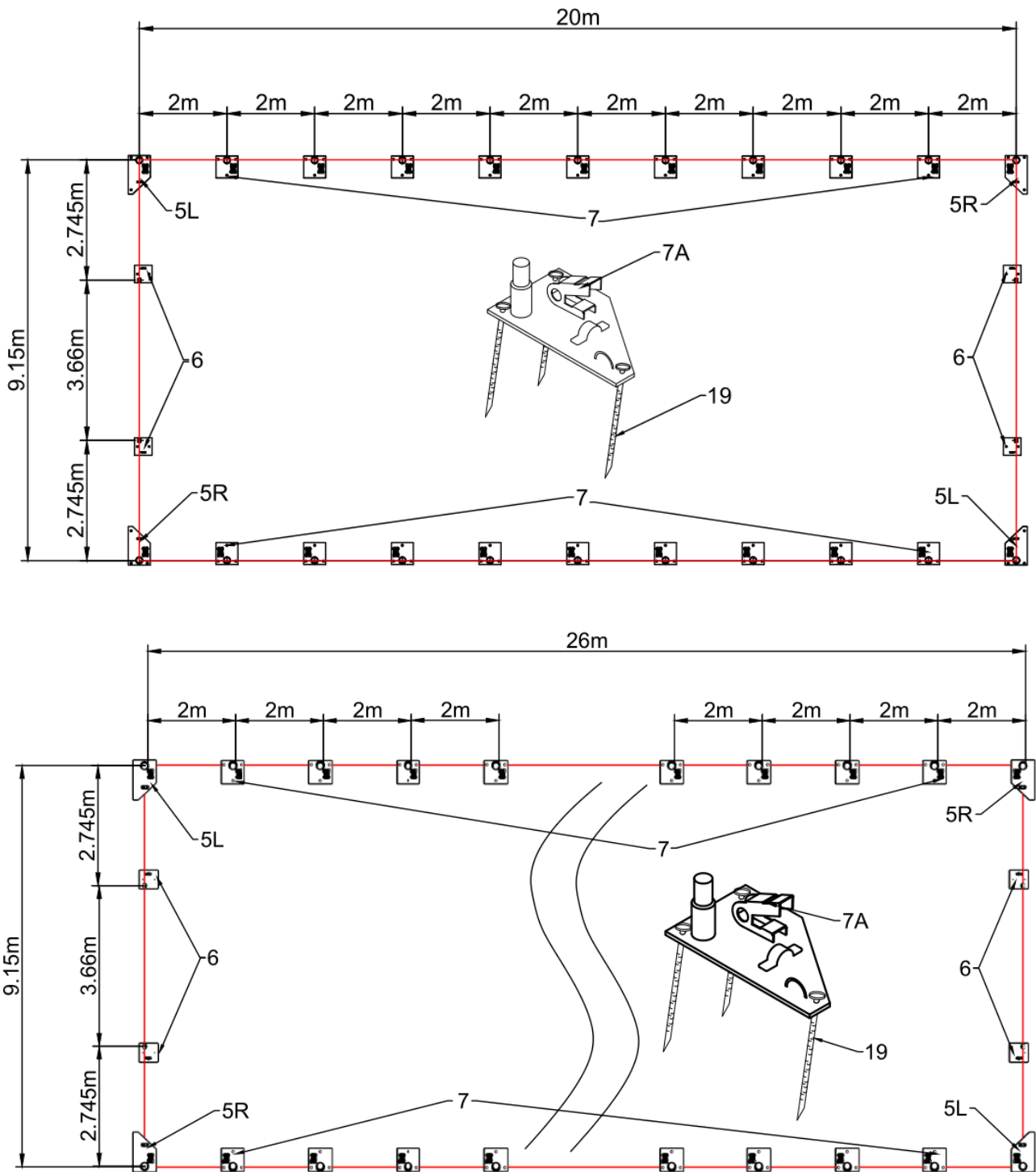


Figure 1

1. The measurement is from center to center of the tubes. Referring to the above diagram and confirm the place of the base plates.

ENSURE THAT THE FOUNDATIONS IS SQUARE.

2. There are three holes on the Base Plates (No.5, 7) and two holes on the Base Plate (No.6), for Stake Peg (No.19). THUS ALL BASE PLATES ARE SECURED.

Foundation Placement

As **Figure 2** shows each Base Plate is equipped with three pieces of Stake Peg (No.16).

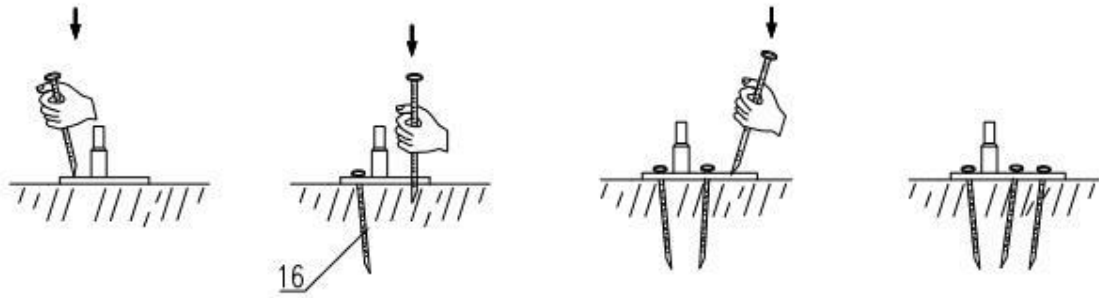
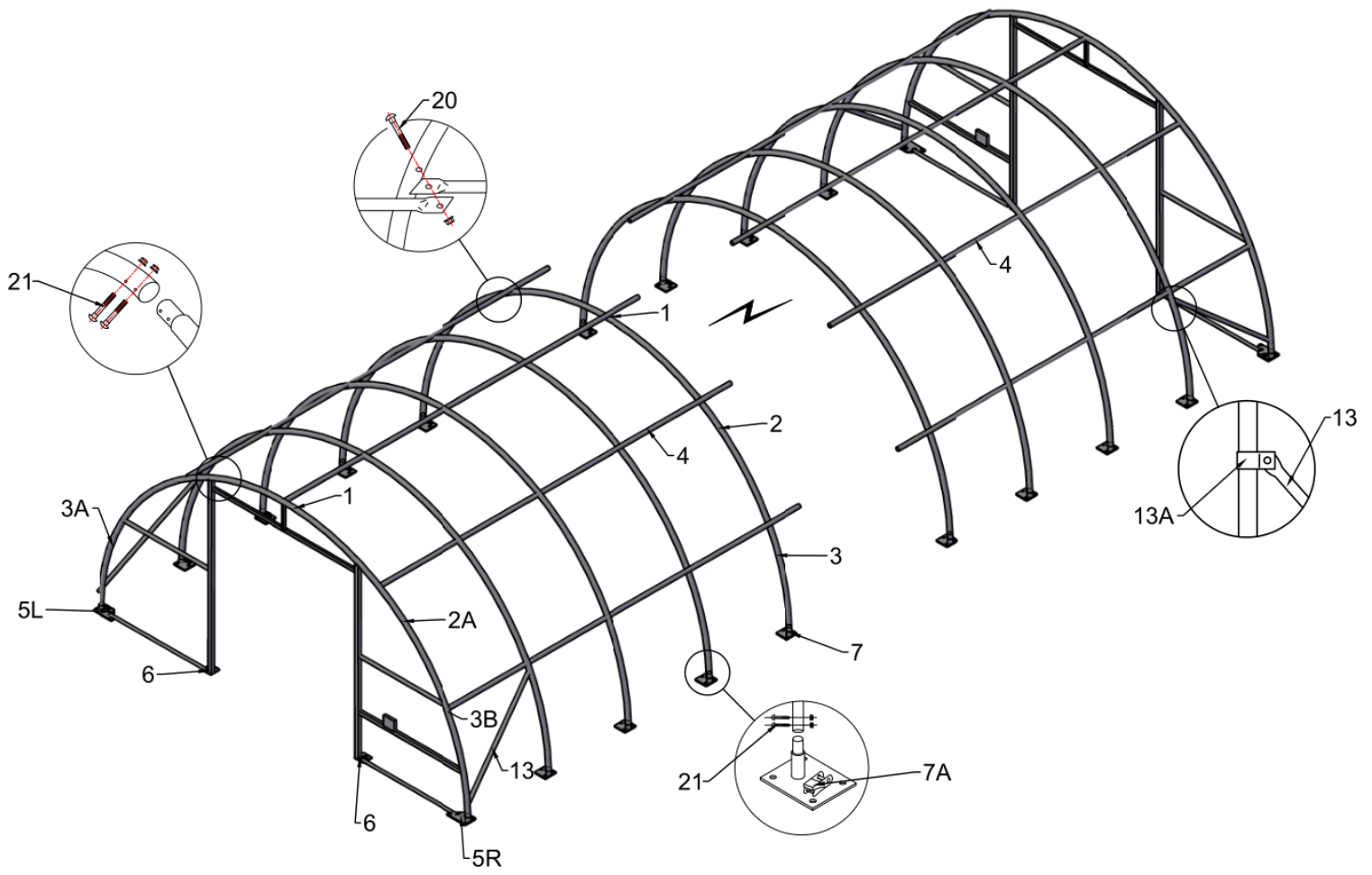


Figure 2

Note: The Stake Pegs apply for normal conditions, not suitable to the rock ground, frozen soil and concrete ground.



(W30'x H15') **FRAME SKETCH** **Figure 3**

B—FRAME INSTALLATION

1. As Figure 4 shows to connect the Roof bent tube for front and back door to find one Roof Bent Tube (No.1A), two pieces of Middle Bent Tubes for doors (No. 2A), Lower Bent Tube (No. 3A) and assemble every group arch with Carriage Screw M10x90 (No.21). DO NOT install the screw on the top of the truss where the fabric will rest.

Note: Middle Bent Tube and Lower Bent Tube for two end tubes (No.2A&3A) which are welded with steel plates for upper portal (No.9) and Upper horizontal connection tubes for door (No.10) are different.

2. Lift an assembled arch onto one base plate and force the other end of the arch onto the opposite base plate.

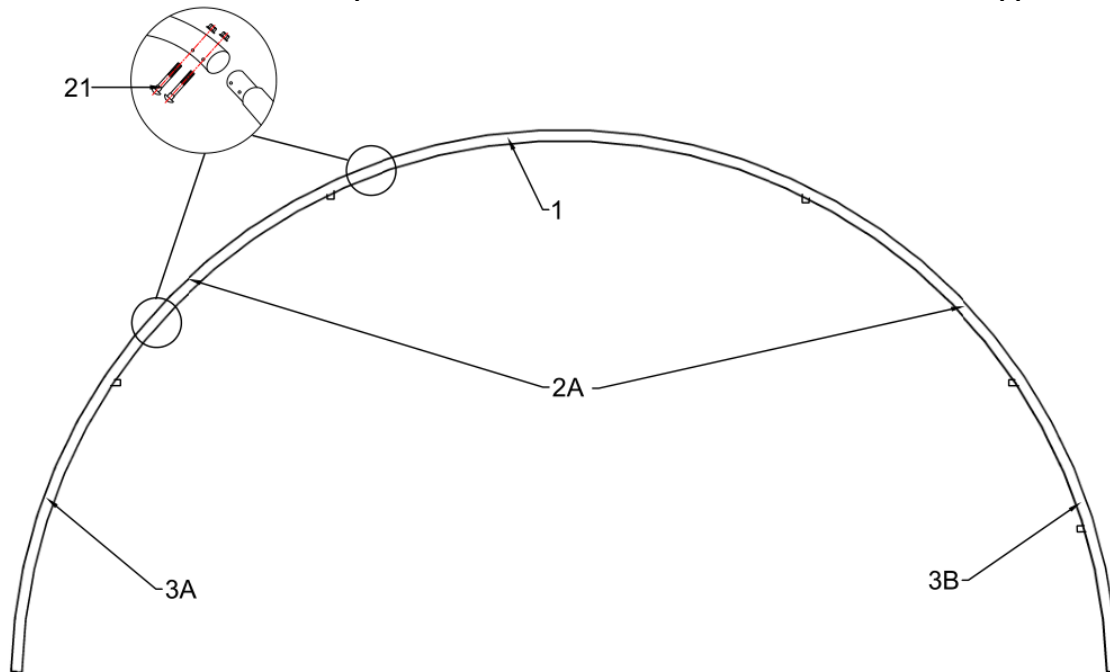
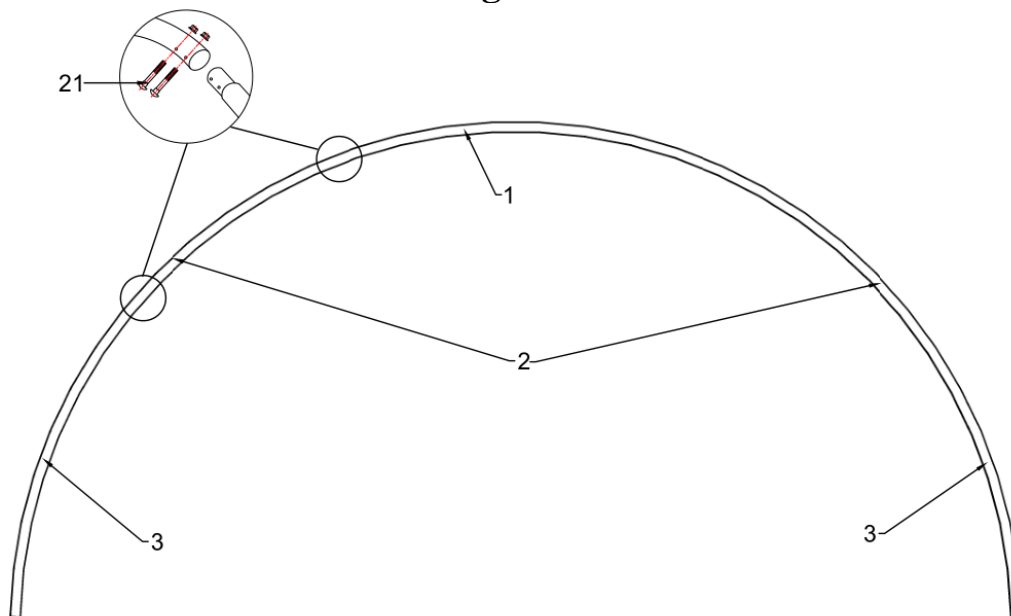


Figure 4



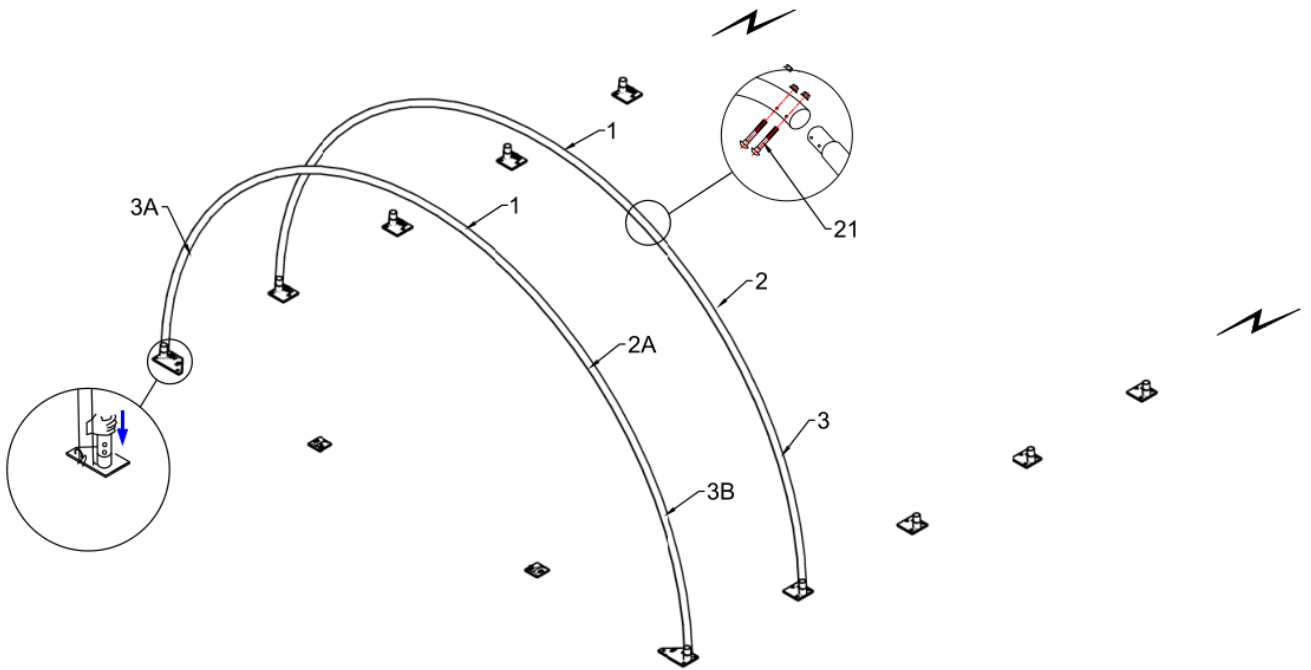


Figure 5

1. Figure 5 shows to connect the Roof bent tube(No.1), middle bent tube(No.2), lower bent tube(No.3) with Carriage Screw M10x90 (No.21), then put the arch into tube of the Base flange by hoist, and assemble every group arch by turns(see Figure 6)

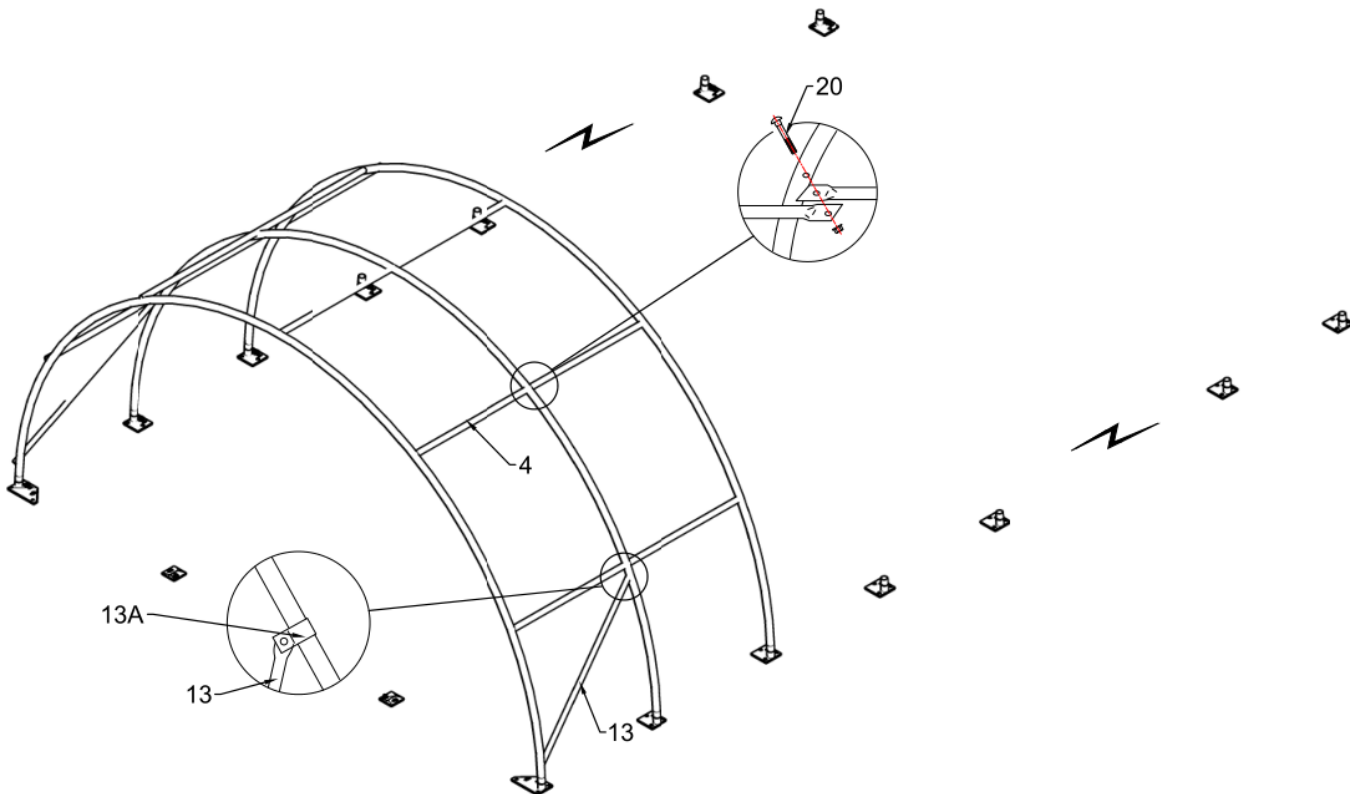
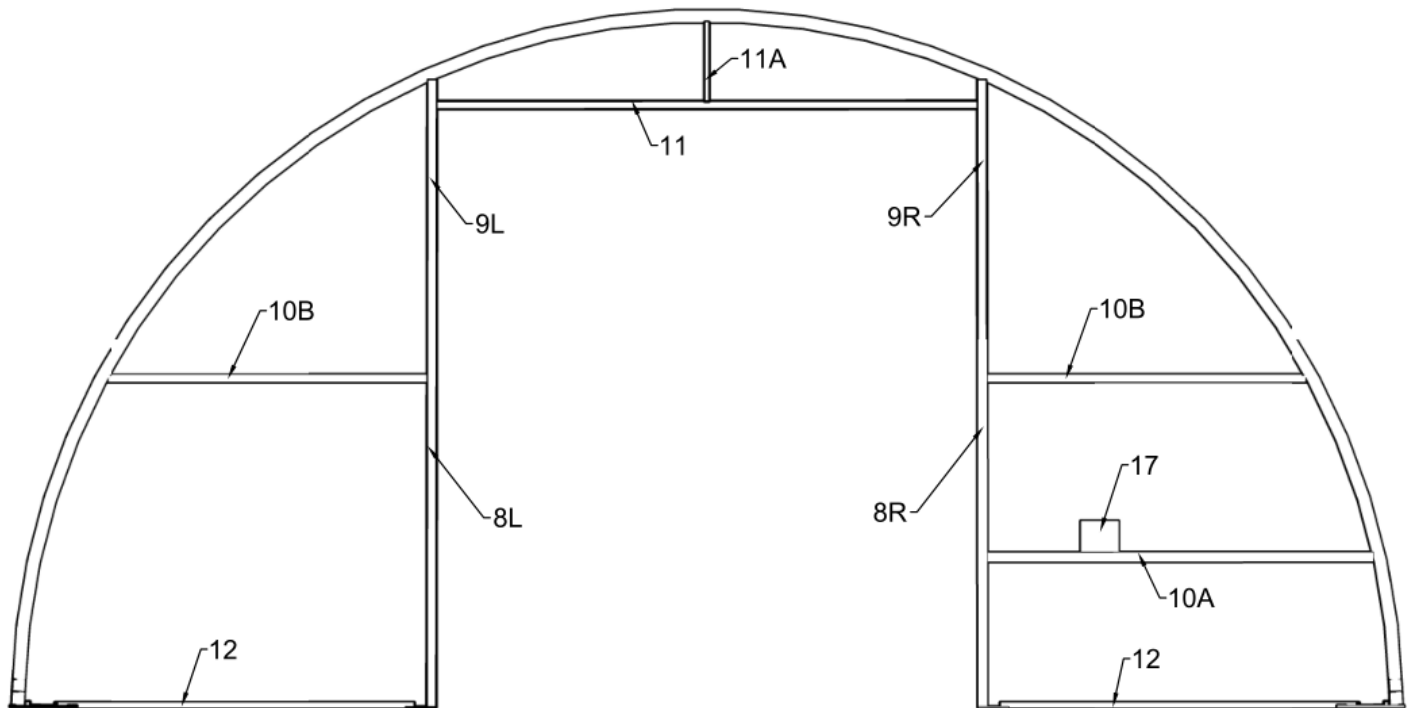


Figure 6

IMPORTANT: THE ARCHES WILL BE WIDER THAN THE BASE PLATES

1. When finish installing the first two arches into the base plates, use purlins (No.4) to connect them by Bolt Carriage M12x110 (No.20). Then install the third arch into the base plate and connect the Purlins. In this turn, fix all other arches and other purlins. Then come to install the front panel and back panel. Find the relative components and assemble them..Please check the figure 6 for reference.
2. Connect the Diagonal Bracing Tube (No.13) with clip (No.13A) between the Lower Bent Tubes as figure6 shows.

C—INSTRUCTION OF FRONT AND BACK WALL FRAME



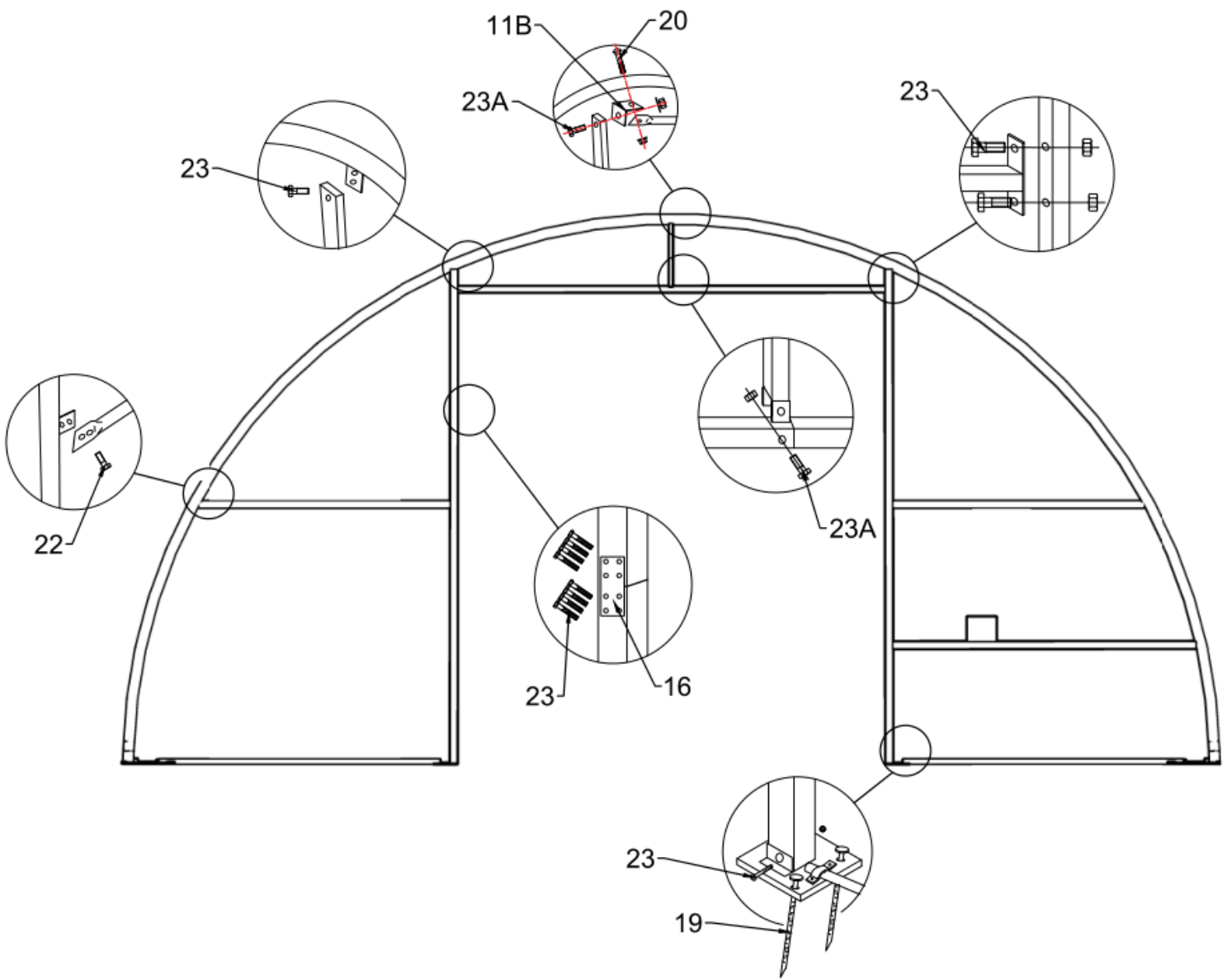


Figure 7

Figure 7 shows the installation of end wall frame.

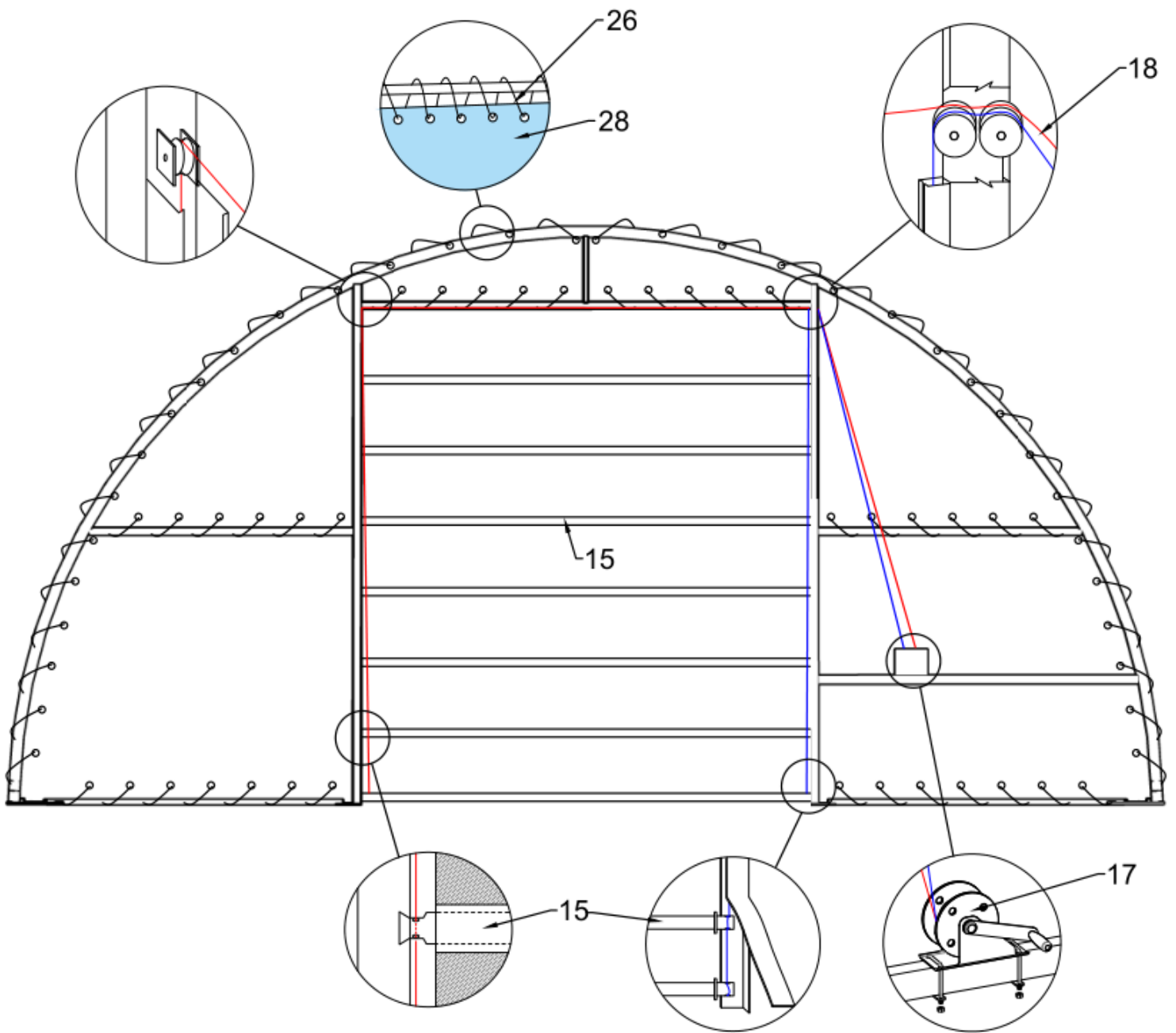


Figure 8

Figure 8 shows the installation of end wall cover

Insert the vertical pipe(No.15) into front and back door through the pockets on covers, assembly the Mechanical wheel, tidy the front door and back door covers by using Rope(No.26), **make the cover well fold to the frame first and then tension the cover.**

D—INSTRUCTION THE ROOF COVER

NOTE: DO NOT install the cover onto the frame of your building in high wind conditions. A slight breeze is the most advantageous for cover installation. To take advantage of the breeze, pull the cover up over the arches with breeze blowing in the cover like a sail filled with air.

1. Assemble Tension Tube for Roof Cover (No.27) before installing the cover.
 2. Roll out the roof cover on a ground sheet. Align the cover evenly to each end of the frame.
- Note: Be sure doing not pullover the end of the roof cover.

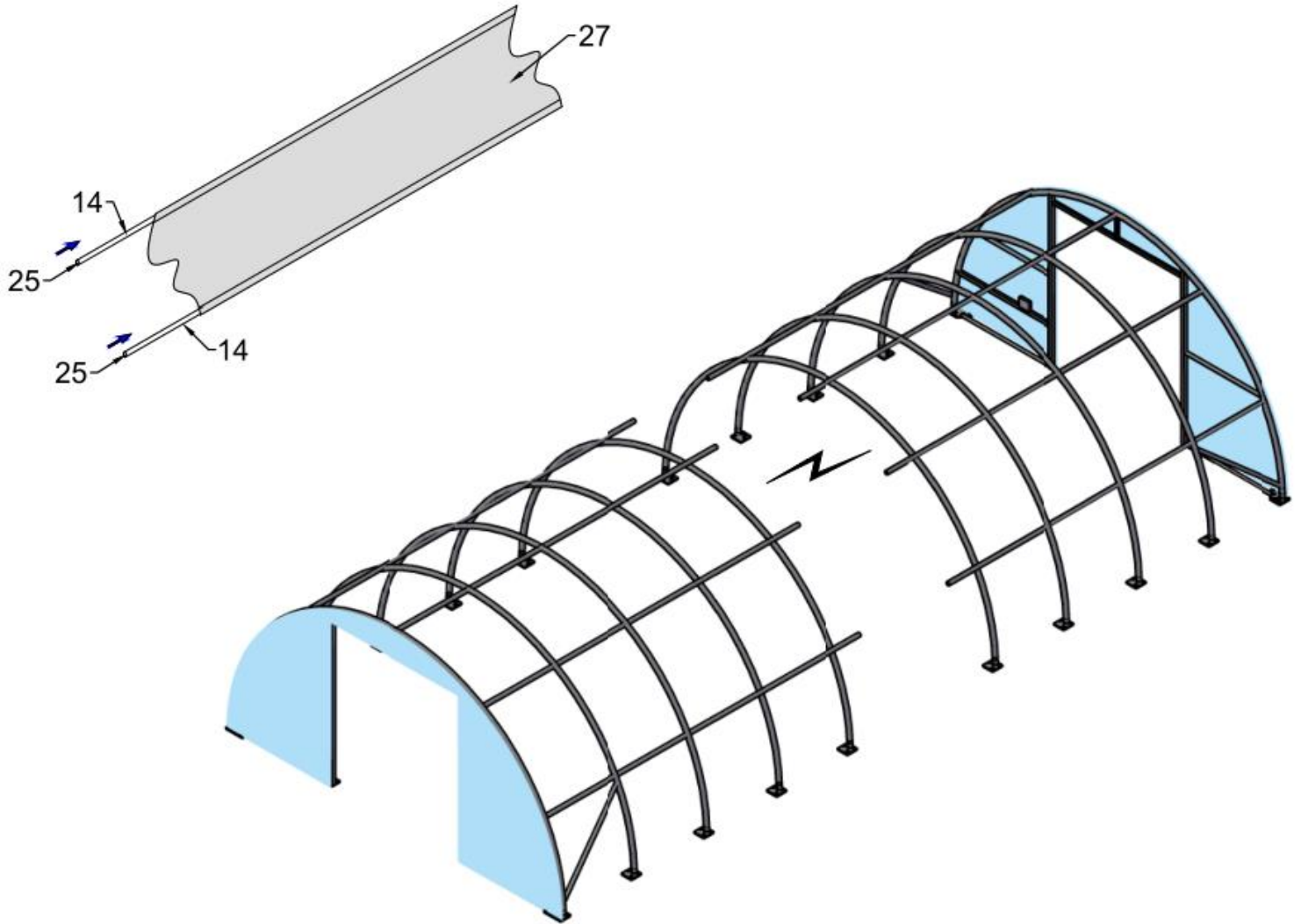


Figure 9

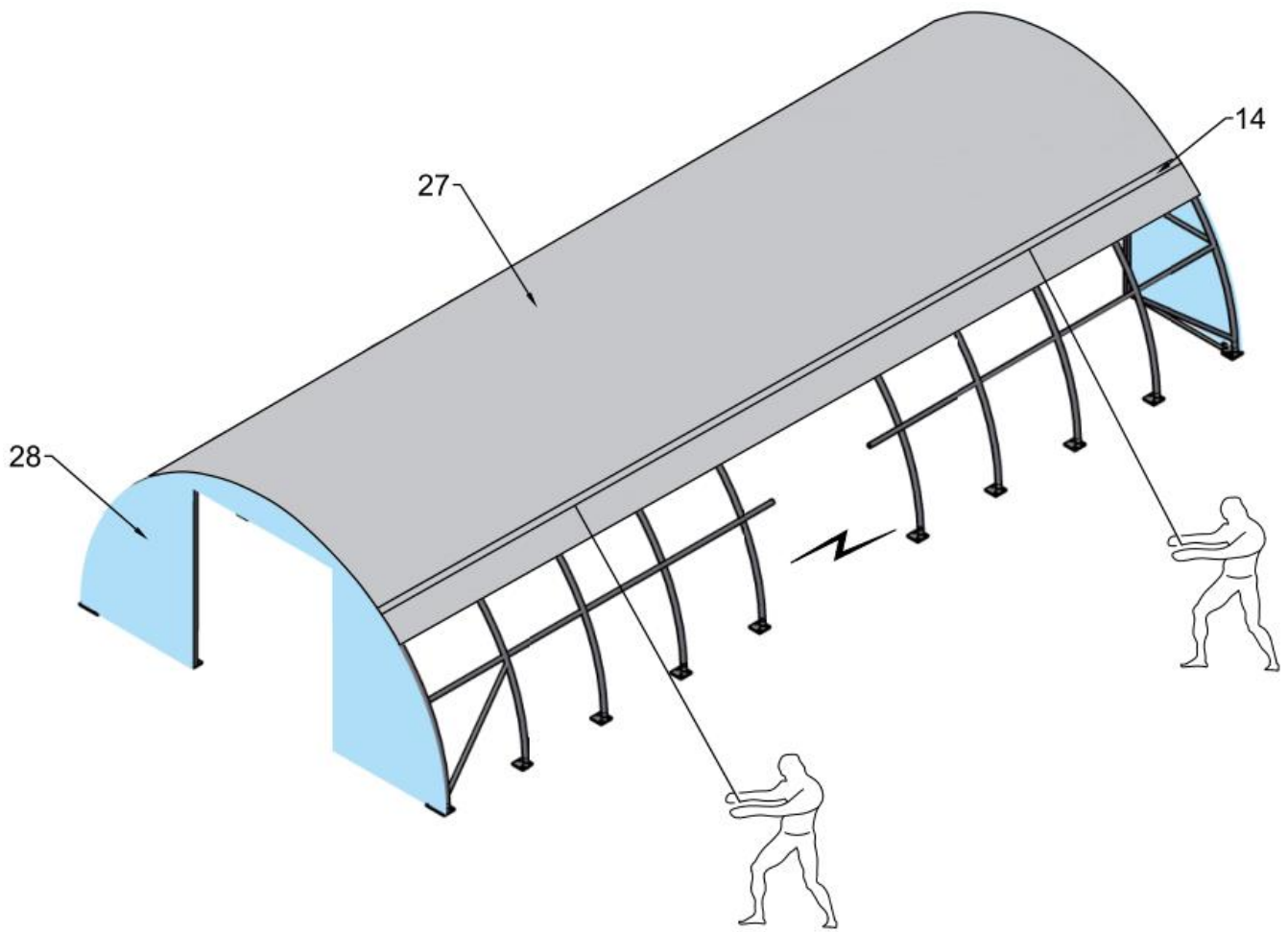


Figure 10

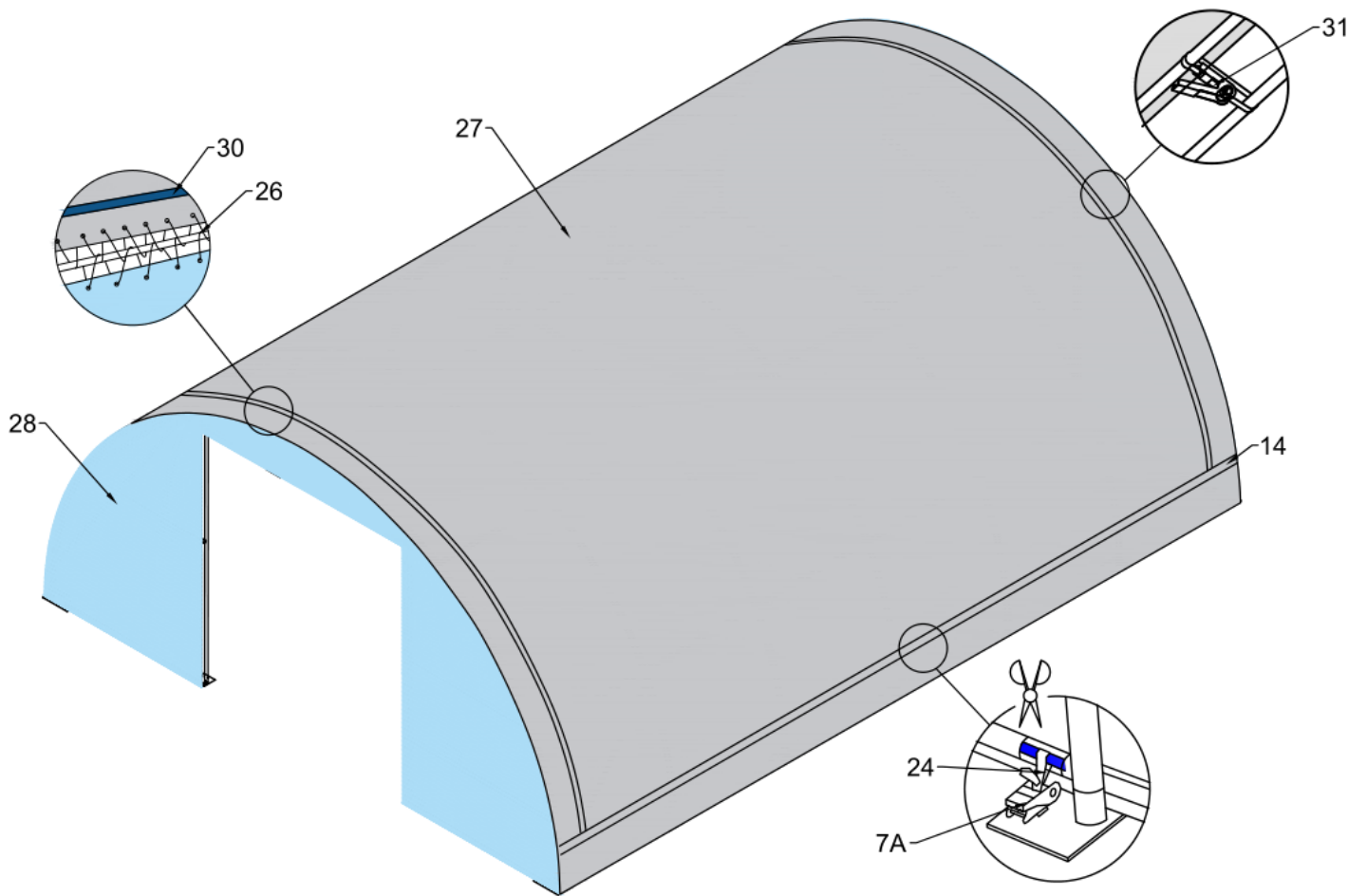


Figure 11

3. Pull the cover over the frame **EVENLY, CAREFULLY AND SLOWLY**. Insert the tension tubes (No.14) into the cover pipe pockets and loosely secure the Nylon Band (No.24) for Ratchet (No.7A). **DO NOT TIGHTEN**. Adjust the cover so that it is square and evenly centered on the frame. Put the lower tension tube inside.

Note: The end flaps must overhang evenly at both ends.

4. With the end flaps flipped back and out of the way, use the supplied Knitting Rope (Part No. 26) to tighten the roof cover to the end arches. The rope should be cut as your requirements when using. The recommended procedure is to use separate pieces of rope and start by first lacing the cover from the bottom edges up to the top center. Secure the ropes at the top center and then apply tension as you lace down both sides. Fasten the rope at the bottom edge. Put the Plastic Plug (No.25) for part No. 12& 14 onto the end of tubes. Drive the Ratchet Tie Down forth and back and then roof cover is tightened.

Tidy the cover, Roof Cover, Back Cover and Front Cover. Fasten the band inside the end of the roof cover, make the cover well fold to the frame and tie the end of the band to the Clips on Base Plates at four corners.

NOW THE INSTALLATION IS FINISHED.

Please check the below installation detailed pictures:



(A)



(B)



(C)



(D)



(E)



(F)

NOTE: DO NOT LEAVE THE ROOF COVER UNATTACHED UNDER ANY CIRCUMSTANCES until the final assembly and tightening has been completed. The process is quite easy. But some tightening adjustments will be necessary to produce a flat, tension ed roof cover. Please adjust the roof cover every month.

Please Note:



Please use the tape wrapped around the gap between the steel skeleton after installing.