

**Basic
Width 3,66m**

Carport ASSEMBLY MANUAL

Size: W3.66mxH2.44mxL6.1m



Part List

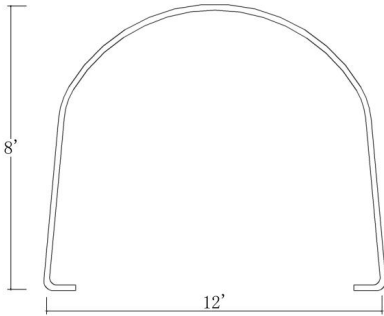
Part Code	Description	Qty
1	Male Bent Tube	6
2	Female Bent Tube	6
3	Stake Peg for back door frame	2
3A	Stake Peg for front door frame	2
4	Stake Peg for middle arch frame	8
5	Male Horizontal Connecting Tube	20
6	Female Horizontal Connecting Tube	5
7	Diagonal Bracing Tube	2
9	Duckbill Nail	6
10	∅ 12x1000mm Steel Rod	1
11	U bolt	6
13	Roof Cover	1
14	Front and Back Door Cover	2
15	Bolt M8*80mm	30
16	Bolt M8*50mm	2
17	Bungee	6
18	∅ 42mm Plastic Plug	12
19	∅ 28mm Plastic Plug	10
20	Rope	2

SPECIFICATION

Width: 12'

Length: 20'

Height: 08'



IMPORTANT-----READ MANUAL FIRST

Improper site preparation, Assembly and Maintenance may invalidate warranty and cause unnecessary and costly mistake. If you have any questions contact your local dealer.

For User Friendly assembly we have identified each individual component with the part code as indicated in the parts list. Please refer to the part code numbers and drawing to ensure problem free assembly.

It's necessary to tighten the roof fabric enough to avoid "hammocks" on the roof and also re-tighten once or twice again after a few months of use. This is important when assembly in cold weather (autumn and winter) because the fabric is stiff then and when we got the sun and warm weather afterwards it will make the fabric "slack" again and need to be re-tighten before next winter.

It's the owners responsibility to take of snow immediately if not slide off by itself.

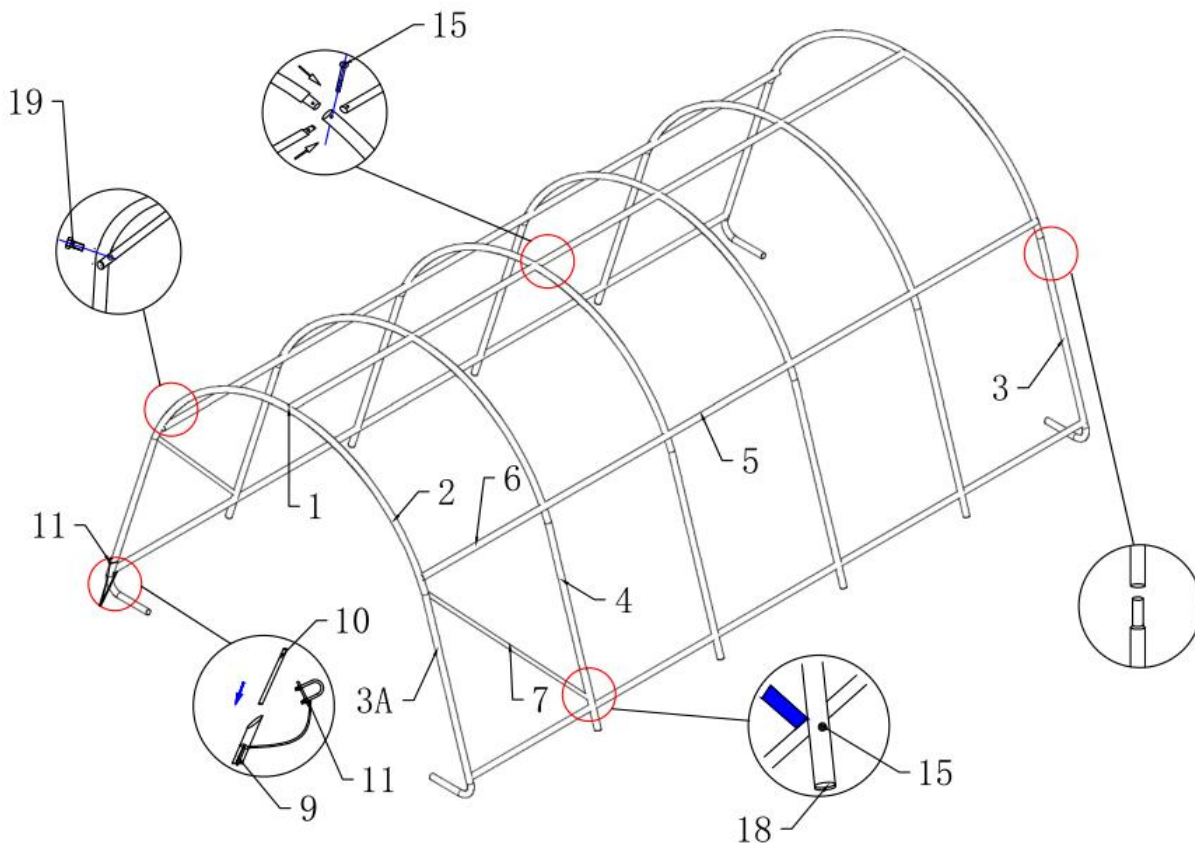
READ ALL INSTRUCTIONS BEFORE ASSEMBLY

1. Keep work area clean. Cluttered areas invite injuries. Do not set up near snow drifts, in slippery places, in high winds, or wet location.
2. Keep children away. All children should be kept away from the work area.
3. Don't over reach. Keep proper footing and balance at all times.
4. Do not assemble in under the influence of alcohol or drugs. Read warning labels on prescriptions to determine if your judgment or reflexes are impaired while taking drugs. If there is any doubt, do not assemble.
5. Be aware of possible windy conditions; fasten the bases in concrete if these conditions are likely to occur. Remove the cover during hurricane.
6. Be careful with power and heat sources. Do not keep heat sources near the tarpaulin. Do not expose to open flame.
7. Be aware of personal safety during assembly and use. Be careful not to pinch fingers with clips and tubes when assembling: when using makes sure there is adequate ventilation for exhaust and other dangerous fumes.

EQUIPEMNT AND TOOLS FOR INSTALATION

1. Measuring tape
2. String for alignment
3. Step ladder
4. Welder
5. Sledge hammer
6. Wrench
7. Scissors

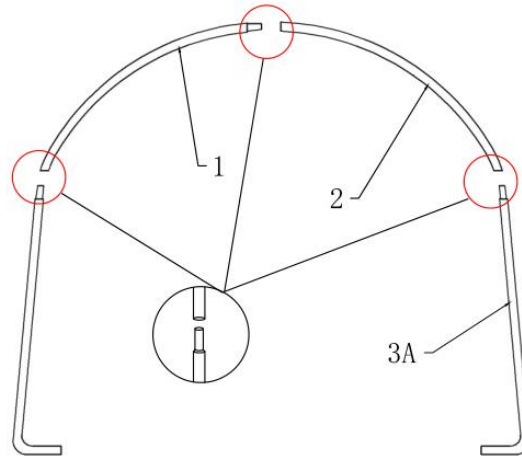
INSTALLATIONP PROCESS



A. Arch Frame Installation

1. (Part No. 1* 1unit + part No. 2 * 1 unit + part No. 3A* 2 unit)

Please find the 1 piece of Male Bent Tubes (part No. 1), one piece of Female Bent Tubes (part No. 2) and 2 pieces of Stake Peg for front wall (part No. 3A). Connect them to make one group arch.

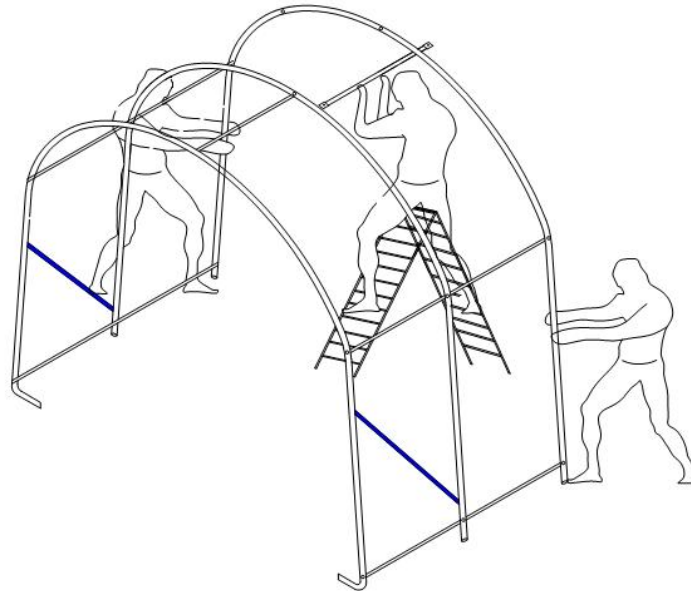


2. (Part No. 1* 1 unit + part No. 2 * 1 unit + part No. 4* 2 unit)

Please find the 1 piece of Male Bent Tubes (part No. 1), one piece of Female Bent Tubes (part No. 2) and 2 pieces of Stake Peg for middle arch frame (part No. 4). Connect them to make the second group arch. By turns, there are 6 groups of arches.

B. Connect the Arch Frame

1. Please connect the first and second group of arches by using Female Horizontal Connecting Tube (part No.6) and Bolt M8*80mm (part No.15), there are 5 pieces of female horizontal connecting tubes between them. Which make the front door group arch. (Please NOTE the direction of the bolt. DO NOT install the bolt on the top of the truss where the fabric will rest.)



2. By turn, connect the other group arches by using Male Horizontal Connecting Tube (part No.5) and Bolt M8*80mm (part No.15) Please make the Horizontal Connecting Tube under the arch frame, the roof cover could be supported beautifully.

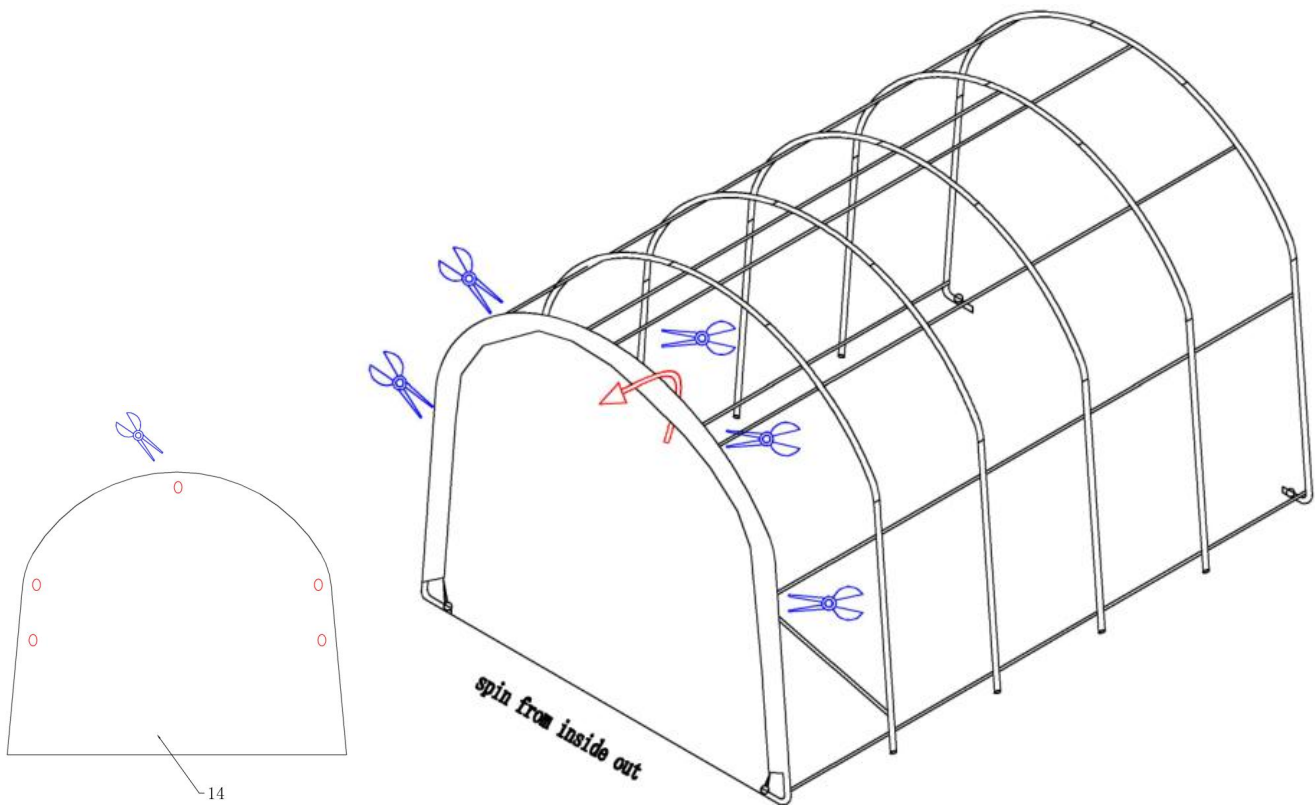
3. Install the Diagonal Bracing Tube (part No.7) by using Bolt M8*50mm (part No.16) and Bolt M8*80mm (part No.15).

4. Finally install all the Plastic Plug (part No. 18 and No. 19) in the suitable tubes.

NOTE: Please check and reference the Frame Figure.



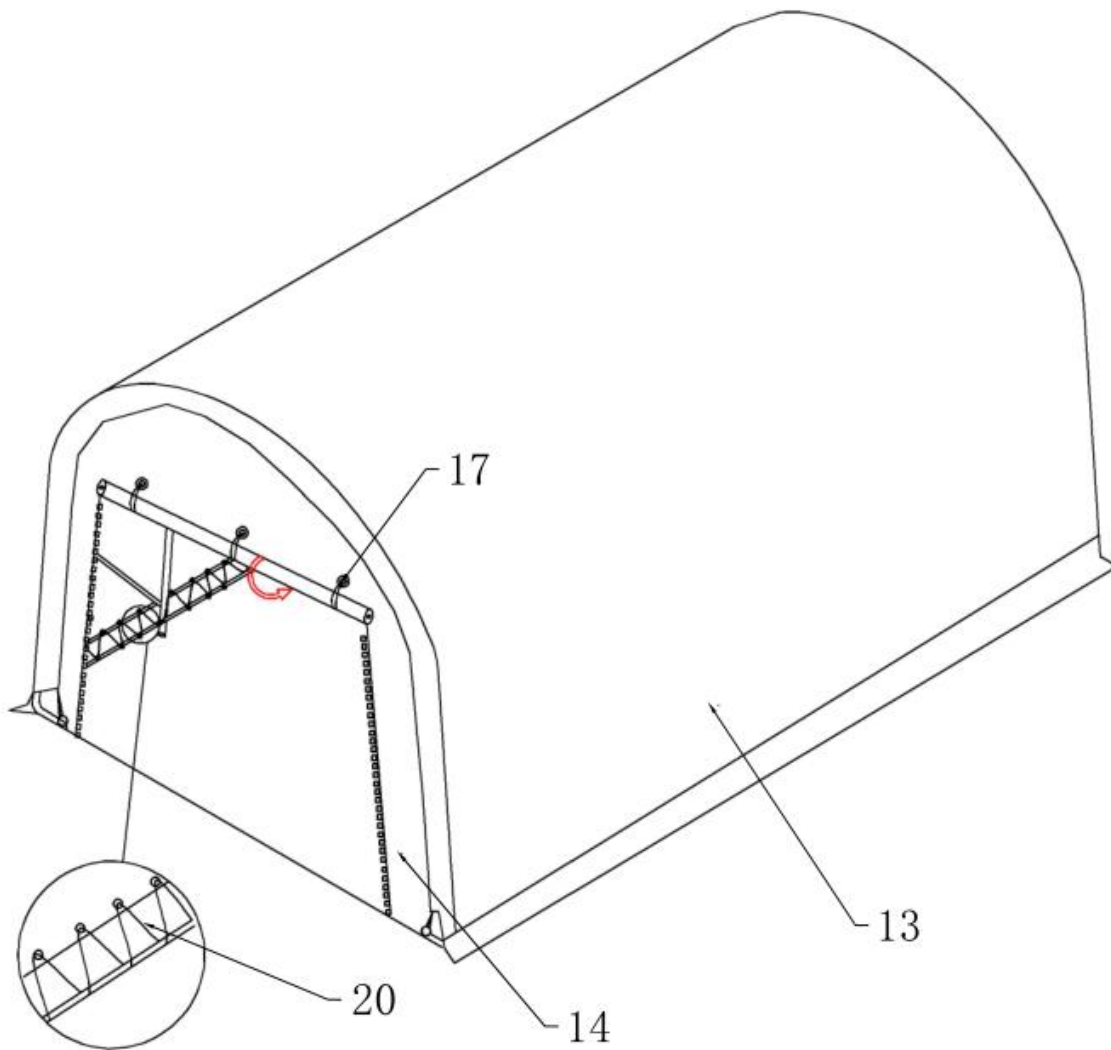
C. Cover Installation



1. Put on the Front Door cover (part No.14) from the inside of the door frame to the outside and find the suitable holes to pass through all the tubes. Fix them using Rope inside of the door cover and tie it on the bottom of the door frame. Then put on the back door cover like it.



2. Put on the Roof Cover (part No.13).



3. Knit the Roof Cover and the Lowest Horizontal Connecting Tubes by using the Rope (part No. 20).

4. Finally adjust the frame and rope, make sure the cover is binding and smooth.



D. Duckbill Nail Installation

Insert the \varnothing 12mm Steel Rod (part No.10) into one Duckbill Nail (part No.9) and use electric hammer to make the nail into the earth deeply. Then fix it to the lower of frame tube using U bolts (part No.11). There are 6 duckbill nails.



NOTE:

DO NOT LEAVE THE ROOF COVER UNATTACHED UNDER ANY CIRCUMSTANCES UNTIL THE FINAL ASSEMBLY AND TIGHTENING HAS BEEN COMPLETED. THE PROCESS IS QUITE EASY, BUT SOME TIGHTENING ADJUSTMENTS WILL BE NECESSARY TO PRODUCE A FLAT, TENSIONED ROOF COVER. PLEASE ADJUST THE ROOF COVER EVERY MONTH.