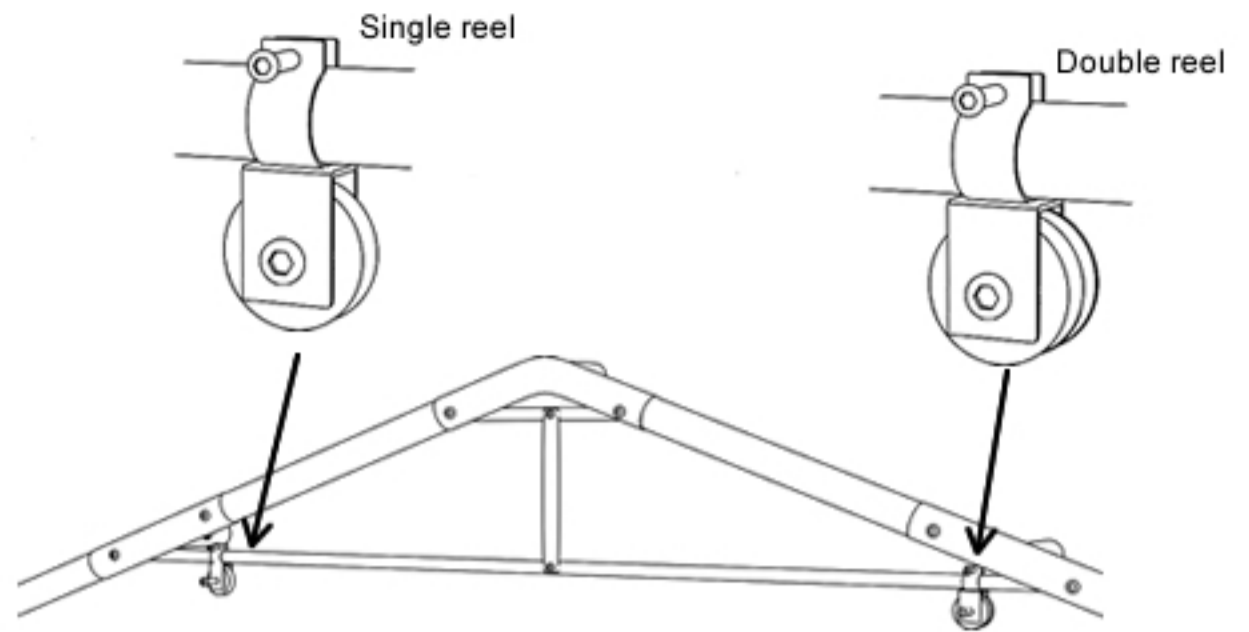


STEP 6

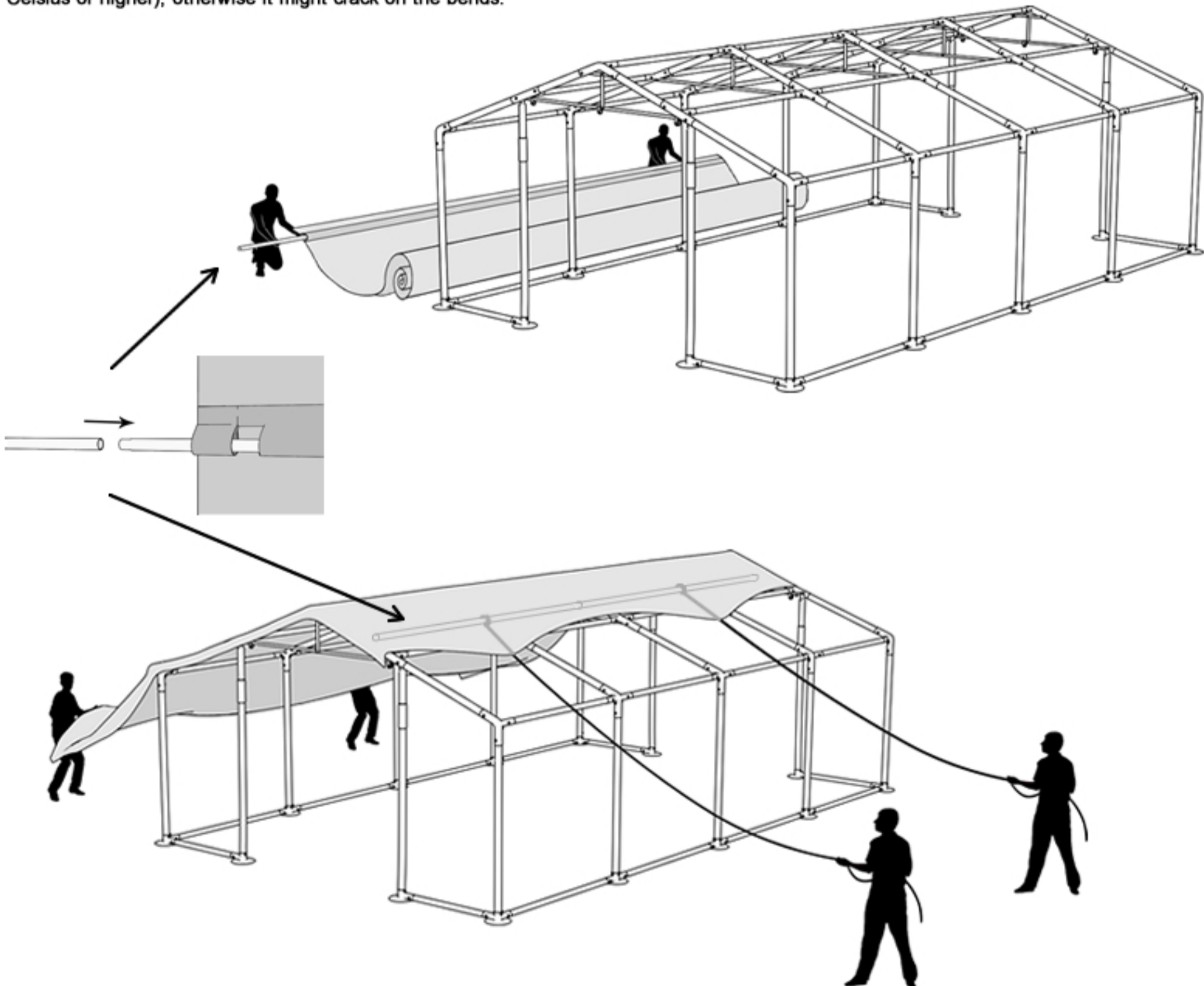
Put on the reel on the top pipe on the entrances: single on the left side, double on the right side.



STEP 7

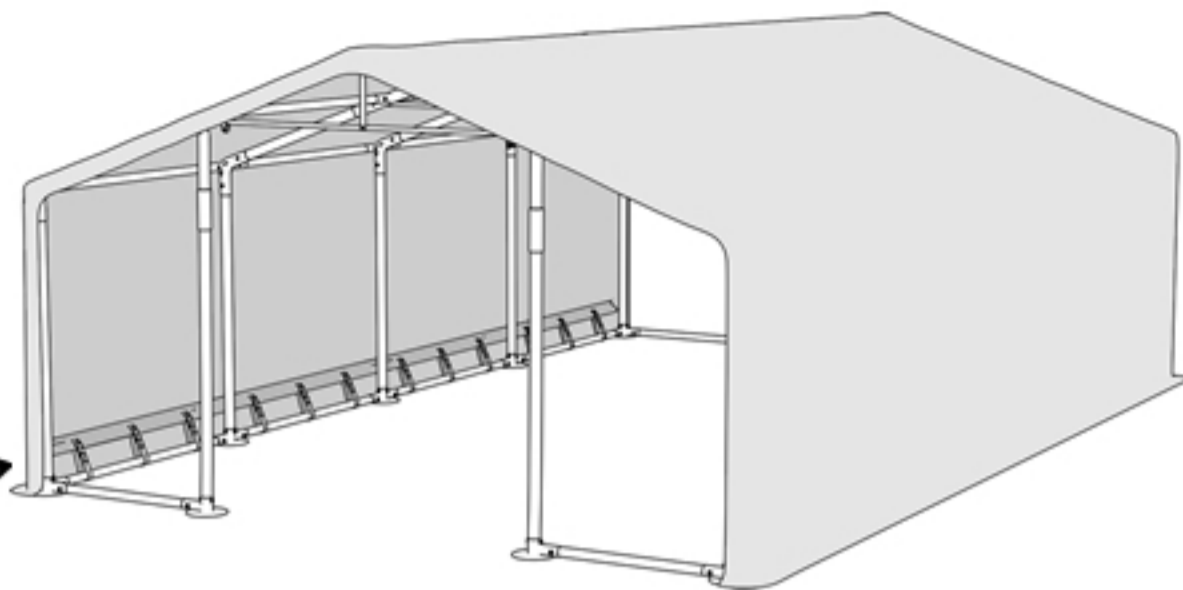
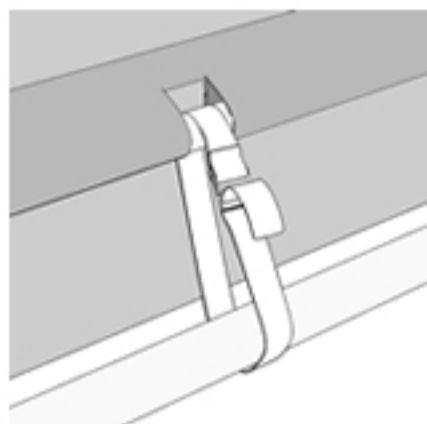
Distribute the tarpaulin along the wall of the tent. Transfer the tarpaulin through the entire width and length of the tent so the tarpaulin can be fit with the help of lines mounted to the pipes in the stitching. Make sure the tarpaulin is evenly distributed on each side. Remember that people on one side should pull and hold the tarpaulin so it can be easily moved on the steel construction on the other side.

Before the distribution the tarpaulin should be stored in the temperature above 10 degrees Celsius. They should be distributed in such temperature (10 degrees Celsius or higher), otherwise it might crack on the bends.

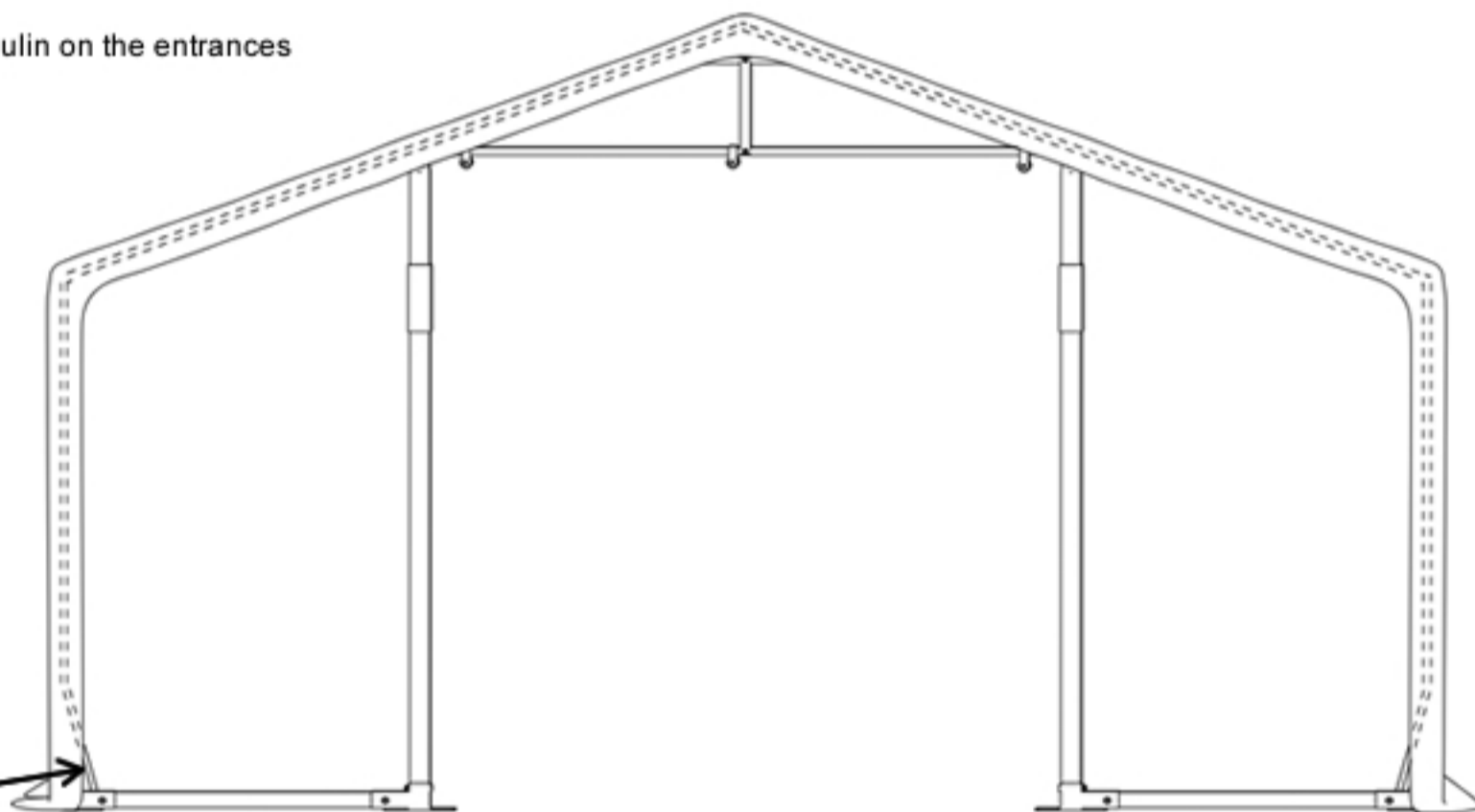
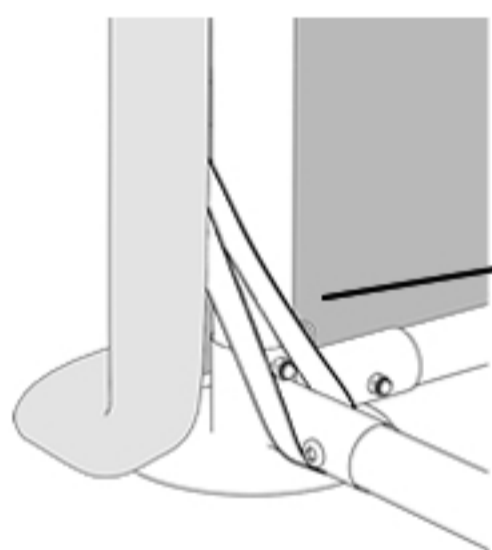


STEP 8

After the tarpaulin has been placed, make sure all the tubes are in the stitching. Transfer the belt through bottom tubes on both sides while mounting the tarpaulin.

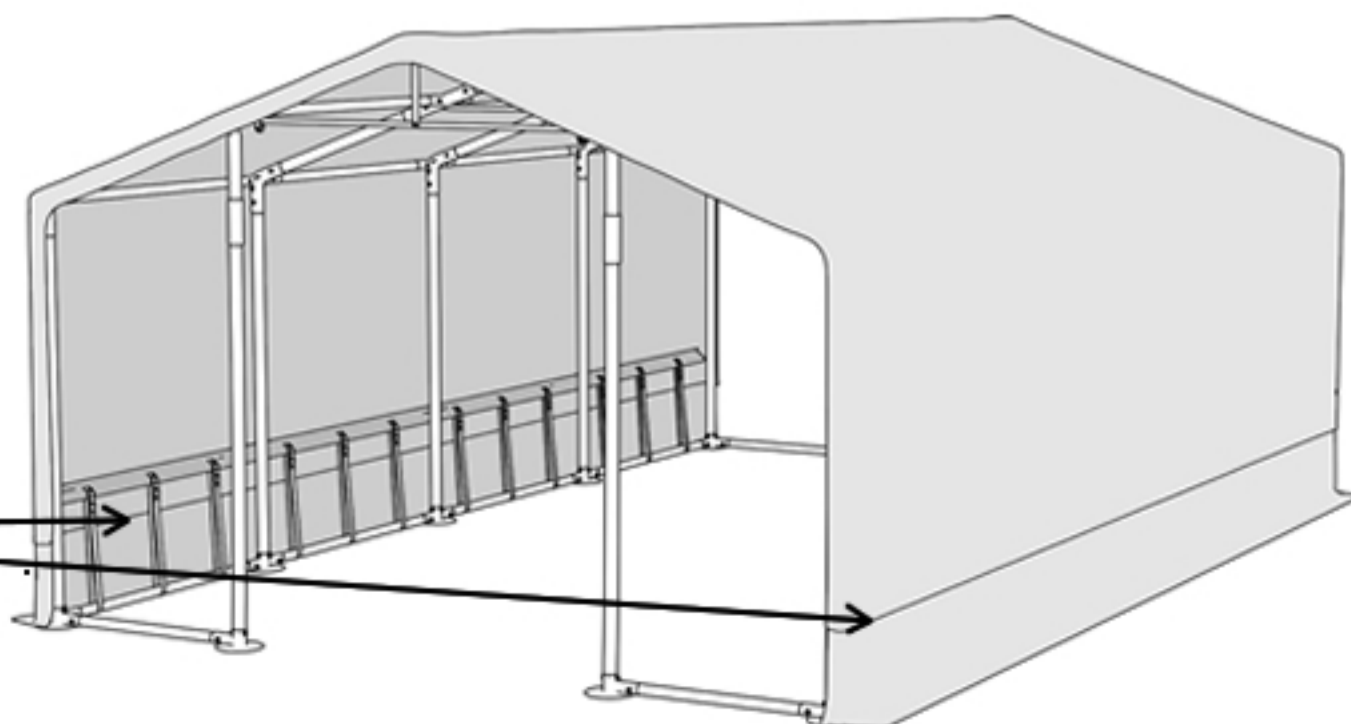
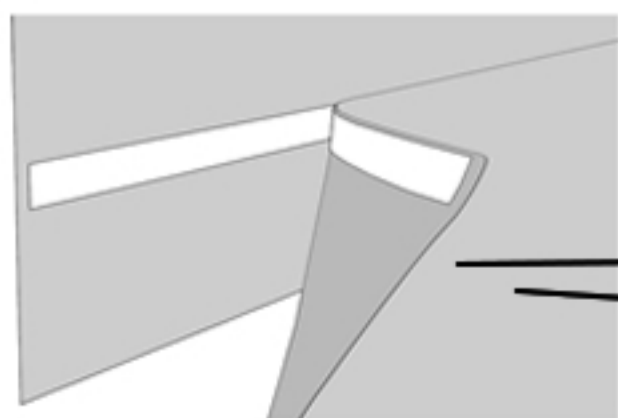


Pull the belt going through the tarpaulin on the entrances and hook it on the bottom tube.



⚠ For the tent with the increased height (2,5m and 3m)

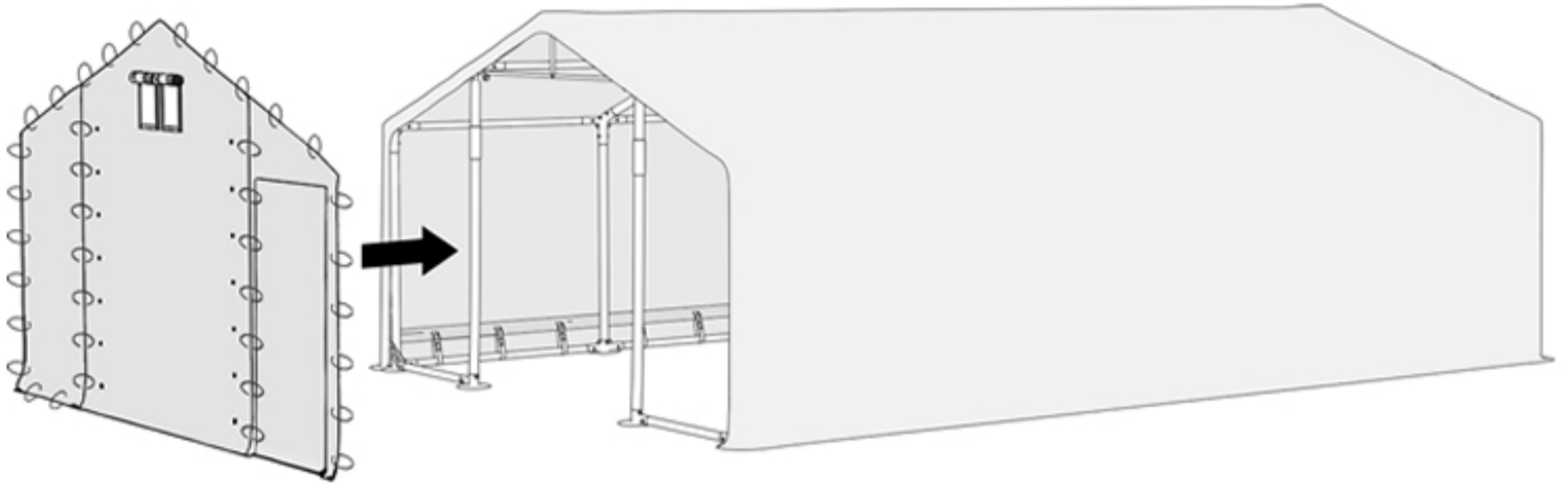
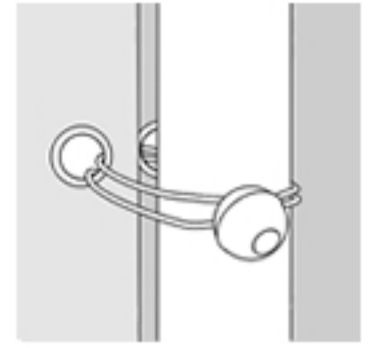
Fix the tarpaulin extension on the velcro.



STEP 9

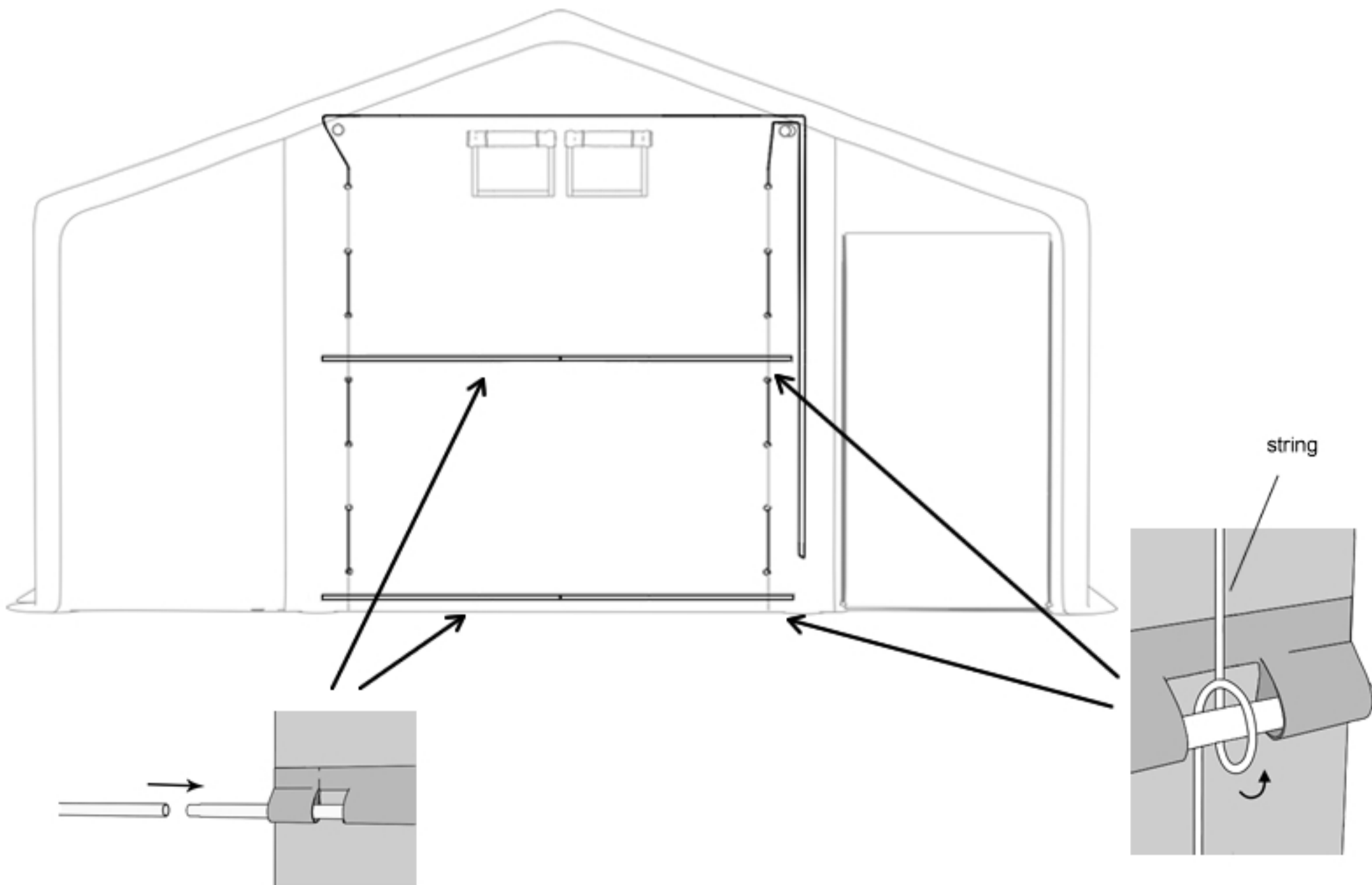
Entrance assembly

On the front and back frame mount the entrance. Put the front cover and fix it to the tubes with balls with rubber.



Gate assembly

Put the tubes in the bottom and middle stitchings on the door. Fix the line in the gate holes on the left side (wrap it around the tubes). Pull the string through the reels along the gate to the double reel and again through the holes on the right side.



⚠ For the tents longer than 12m

Fix the gutter connecting two tents to the tarpaulin using balls with rubber.

